

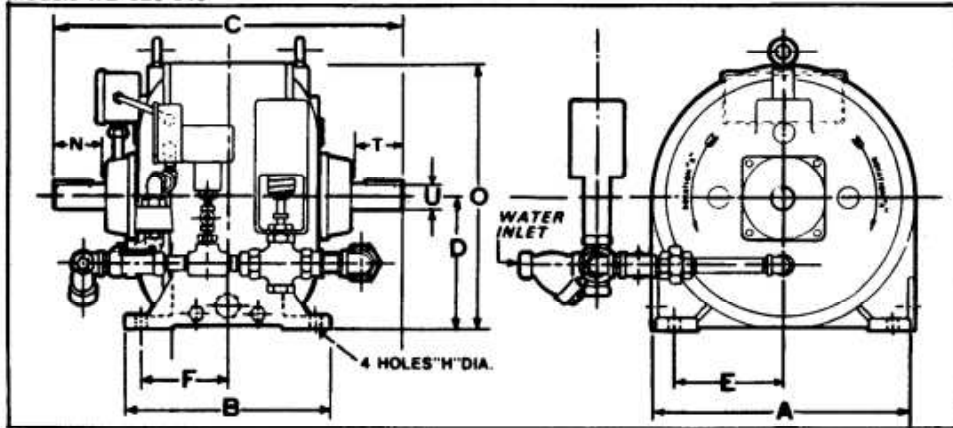
section WC page 104
eddy-current brakes
liquid cooled

Outline Drawings

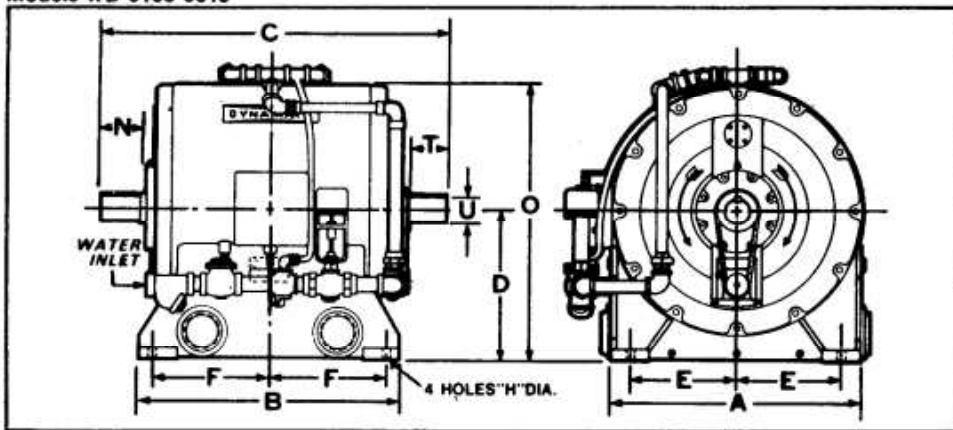
dated 10-15-84 (supersedes 9-17-79)

Outline Dimensions

Models WB-620-640



Models WB-6163-6313



Dimensions - Inches

Model WB-	A	B	C	D	E	F	H	N	O	T	U	Print Number
620	12.75	10.50	18.50	7.00	5.50	4.50	.54	2.68	14.38	2.68	1.31	C66403/A
630	14.50	12.00	19.00	8.00	6.25	5.00	.68	2.82	16.00	2.82	1.50	
640	18.00	14.00	24.00	9.00	7.50	6.00	.82	3.50	18.00	3.50	1.62	
6163	25.00	20.00	31.25	13.50	10.50	8.75	1.00	5.06	26.22	4.50	2.25	C54342/B
6164												
6165												
6172	28.00	21.50	33.00	14.50	12.00	9.50	1.12	5.62	29.31	4.75	3.00	
6173	30.00	22.00	33.88	17.25	13.00	9.50	1.12	4.88	34.00	5.00	3.38	
6192	32.00	27.12	40.88	17.25	14.00	12.06	1.12	5.88	34.25	5.50	3.75	
6213	40.00	36.00	50.00	22.00	17.00	16.00	1.25	7.18	42.12	6.50	4.38	C54343/F
6232	40.00	42.00	56.50	24.00	17.00	19.00	1.25	7.44	44.12	6.75	4.50	
6253	48.00	48.00	65.50	29.00	20.50	21.50	1.44	7.50	53.12	7.50	5.00	
6272	56.00	54.00	72.50	33.00	24.00	24.00	1.44	9.38	61.00	9.00	6.00	C56515/D
6293	62.00	65.00	88.75	37.00	26.00	28.00	1.62	15.00	68.25	13.50	7.00	
6312												
6313												

Dimensions are for reference only unless certified.
 Data subject to change without notice.