



Manufacturers of Dynamic® and Adjusto Spede® Products

7900 Durand Avenue, P.O. Box 0361
Sturtevant, Wisconsin, U.S.A. 53177
Tel.: 262.554.7977 Fax: 262.554.7041
Toll Free: 1.800.548.2169
E-mail: sales@drivesourceusa.com
Website: www.drivesourceusa.com

Motor Brakes

Models 305 to 312

Application Engineering ✦ Quality Products ✦ Total Solution

Model 305 Motor Brake Per FC-305062

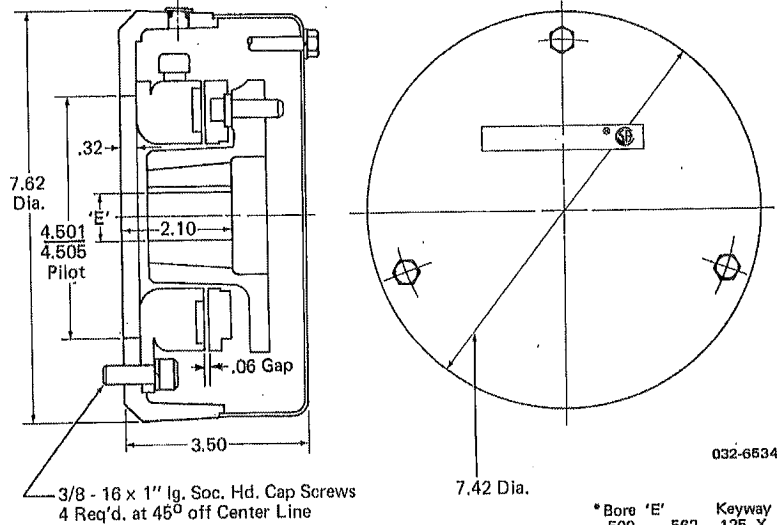
Technical Data

Static Torque	57 lb. ft.	Weight: Armature, Hub & Split	
Maximum Speed	4000 RPM	Taper Bushing	3.13 lb.
Coil Voltage	90 vdc	Field	3.36 lb.
Rated Current409 amp	Inertia: Armature, Hub & Split	
		Taper Bushing067 lb. ft. ²

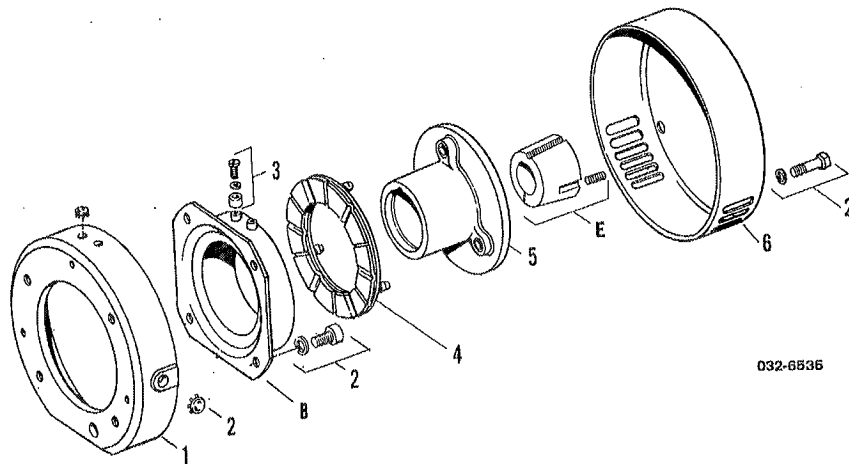
Model 305 - Torque at Various RPM Points

RPM	0	300	600	900	1200	1500	1800	2400	3000	3600	4000
Lb. Ft.	57	52	47	43	39	35	32	27	24	21	20

Refer to Section K for torque and heat dissipation curves.



*Bore "E" Keyway
 .500 - .562 .125 X .062
 .625 - .875 .187 X .094
 .937 - 1.250 .250 X .125
 *Diameters are available in
 0.062" increments.





Manufacturers of Dynamic® and Adjusto Spede® Products

7900 Durand Avenue, P.O. Box 0361
Sturtevant, Wisconsin, U.S.A. 53177
Tel.: 262.554.7977 Fax: 262.554.7041
Toll Free: 1.800.548.2169
E-mail: sales@drivesourceusa.com
Website: www.drivesourceusa.com

**Motor Brake
Model 305**

- Primary Field
- Pin Drive

Model 305 Motor Brake Per FC-305062

Item	Qty.	Part No.	Description
Major Parts			
1	1	305780-1	Mounting Adapter
2	1	326544	Motor Brake Accessories
3	1	326146	Magnet Accessories
4	1	305381	Armature Plate Assembly
5	1	305450-2	Armature Hub Assembly
6	1	305793-1	Brake Cover
B	1		Field Magnet Assembly
B-21		305351	6 volts, outside mounted
B-24		305354	90 volts, outside mounted
E	1	326058	Split Taper Bushing (See note below)

To Order, Specify:
 1. Motor Brake
 2. Bore of Item E
 3. Voltage of Item B
 4. Controller from Section H

Example:
 Motor Brake per FC-305062
 1" bore
 90 volts
 Controller Model Number

Note:
 Refer to Section J for split taper bushing bores.
 Consult the factory for other voltages.
 Data subject to change without notice.

Model 308 Motor Brake Per FC-308062

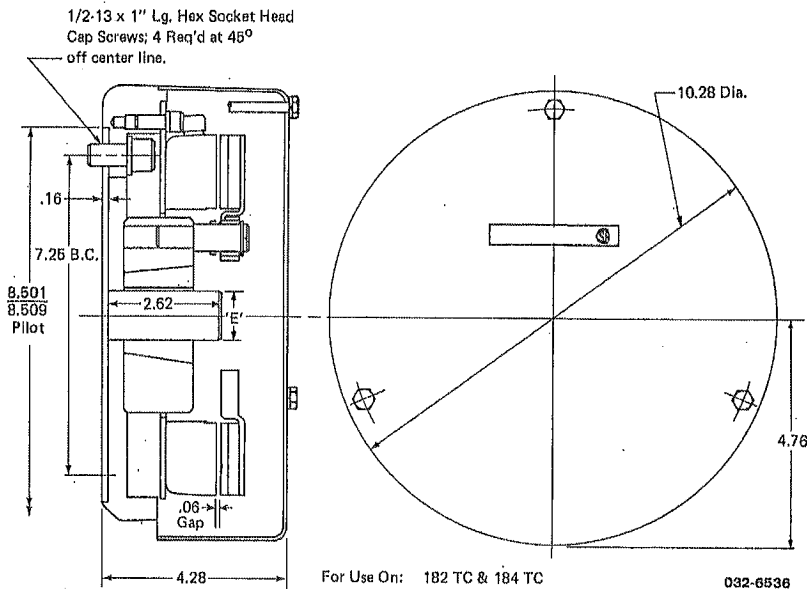
Technical Data

Static Torque	125 lb. ft.	Weight: Armature, Hub & Split	
Maximum Speed	3600 RPM	Taper Bushing	8.528 lb.
Coil Voltage	90 vdc	Field	7.65 lb.
Rated Current59 amp	Inertia: Armature, Hub & Split	
		Taper Bushing378 lb. ft. ²

Model 308 - Torque at Various RPM Points

RPM	0	300	600	900	1200	1600	1800	2400	3000	3600
Lb. Ft.	125	110	95	85	80	75	67	53	43	35

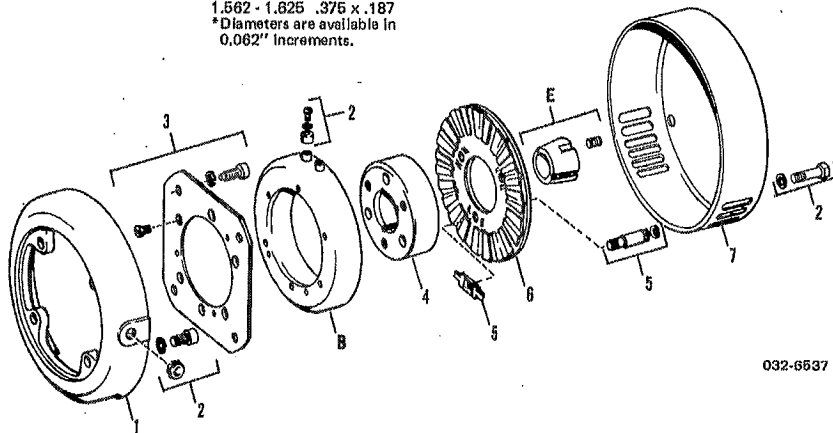
Refer to Section K for torque and heat dissipation curves.



*Bore 'E' Keyway

.600 - .662	.125 x .062
.625 - .876	.187 x .094
.937 - 1.250	.250 x .125
1.312 - 1.375	.312 x .166
1.437 - 1.600	.375 x .187
1.662 - 1.825	.375 x .187

*Diameters are available in
 0.062" increments.





Manufacturers of Dynamic® and Adjusto Spede® Products

7900 Durand Avenue, P.O. Box 0361
Sturtevant, Wisconsin, U.S.A. 53177
Tel.: 262.554.7977 Fax: 262.554.7041
Toll Free: 1.800.548.2169
E-mail: sales@drivesourceusa.com
Website: www.drivesourceusa.com

**Motor Brake
Model 308**

- Primary Field
- Pin Drive

Model 308 Motor Brake Per FC-308062

Item	Qty.	Part No.	Description
Major Parts			
1	1	308780	Brake Mounting Adapter
2	1	326532	Motor Brake Accessories
3	1	308491	Mounting Plate w/Accessories Outside Mounted
4	1	308450	Armature Hub
5	1	326075	Adjustable Gap Accessories
6	1	308380	Armature Plate Assembly
7	1	308793-1	Brake Cover
B	1		Field Magnet Assembly
B-1		308371	6 volts
B-4		308374	90 volts
E	1	326015	Split Taper Bushing (See note below)
Service Parts			
5a	3	326008	Drive Pin
5b	3	326149	Spring
5c	3	DY 10572	Retaining Ring

- To Order, Specify:**
1. Motor Brake
 2. Bore of Item E
 3. Voltage of Item B
 4. Controller from Section H

Example:
 Motor Brake per FC-308062
 1½" bore
 90 volts
 Controller Model Number

Note:
 Refer to Section J for split taper bushing bores.
 Consult the factory for other voltages.
 Data subject to change without notice.

Model 310 Motor Brake Per FC-310062

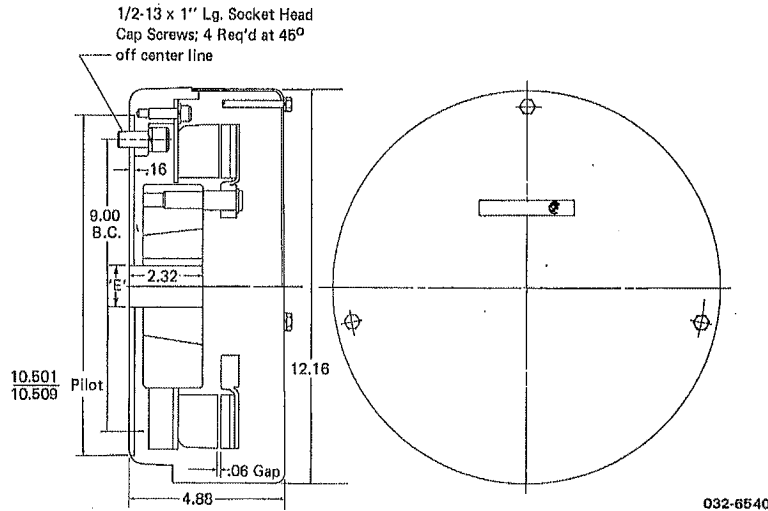
Technical Data

Static Torque	240 lb. ft.	Weight: Armature, Hub & Split	
Maximum Speed	3000 RPM	Taper Bushing	14.968 lb.
Coil Voltage	90 vdc	Field	10.9 lb.
Rated Current584 amp	Inertia: Armature, Hub & Split	
		Taper Bushing967 lb. ft. ²

Model 310 - Torque at Various RPM Points

RPM	0	300	600	900	1200	1500	1800	2400	3000
Lb. Ft.	240	200	165	140	115	98	88	72	61

Refer to Section K for torque and heat dissipation curves.

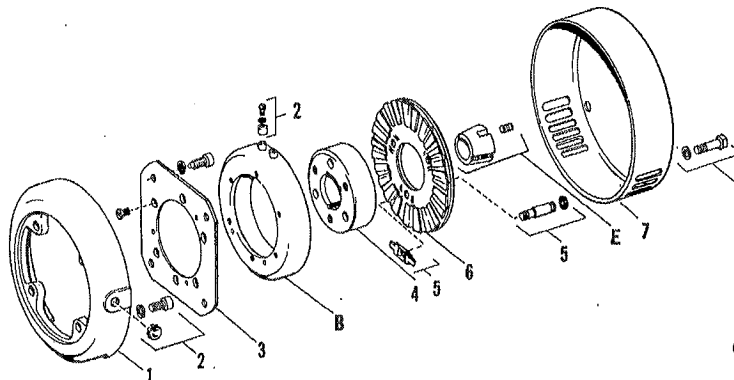


To Be Used On 284 TC & 286 TC Frame

*Bore 'E' Keyway

.500 - .562	.125 x .062
.625 - .375	.187 x .094
.937 - 1.250	.250 x .125
1.312 - 1.375	.312 x .156
1.437 - 1.750	.375 x .187
1.812 - 2.250	.500 x .250
2.312 - 2.600	.625 x .312

*Diameters are available in 0.062" increments.



032-6541



Manufacturers of Dynamic® and Adjusto Spede® Products

7900 Durand Avenue, P.O. Box 0361
Sturtevant, Wisconsin, U.S.A. 53177
Tel.: 262.554.7977 Fax: 262.554.7041
Toll Free: 1.800.548.2169
E-mail: sales@drivesourceusa.com
Website: www.drivesourceusa.com

**Motor Brake
Model 310**

- Primary Field
- Pin Drive

Model 310 Motor Brake Per FC-310062

Item	Qty.	Part No.	Description
Major Parts			
1	1	310781	Brake Mounting Adapter
2	1	326533	Motor Brake Accessories
3	1	310491	Mounting Plate w/Accessories Outside mounted
4	1	310450	Armature Hub
5	1	326075	Adjustable Gap Accessories
6	1	310380	Armature Plate Assembly
7	1	310793-1	Brake Cover
B	1		Field Magnet Assembly
B-1		310371	6 volts
B-4		310374	90 volts
E	1	326039	Split Taper Bushing (See note below)
Service Parts			
5a	3	326008	Drive Pin
5b	3	326149	Spring
5c	3	DY 10572	Retaining Ring

- To Order, Specify:**
1. Motor Brake
 2. Bore of Item E
 3. Voltage of Item B
 4. Controller from Section H

- Example:**
- Motor Brake per FC-310062
2" bore
90 volts
Controller Model Number

Note:
Refer to Section J for split taper bushing bores.
Consult the factory for other voltages.
Data subject to change without notice.

Model 312 Motor Brake Per FC-312062

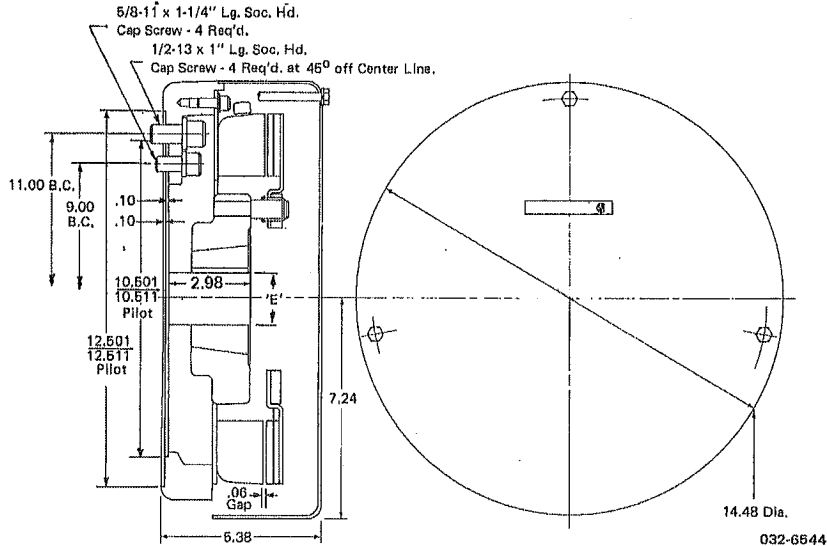
Technical Data

Static Torque	465 lb. ft.	Weight: Armature & Hub	18.0 lb.
Maximum Speed	2400 RPM	Field	18.6 lb.
Coil Voltage	90 vdc	Inertia: Armature & Hub	1.93 lb. ft. ²
Rated Current520 amp		

Model 312 - Torque at Various RPM Points

RPM	0	300	600	900	1200	1500	1800	2400
Lb. Ft.	465	380	300	240	190	155	140	130

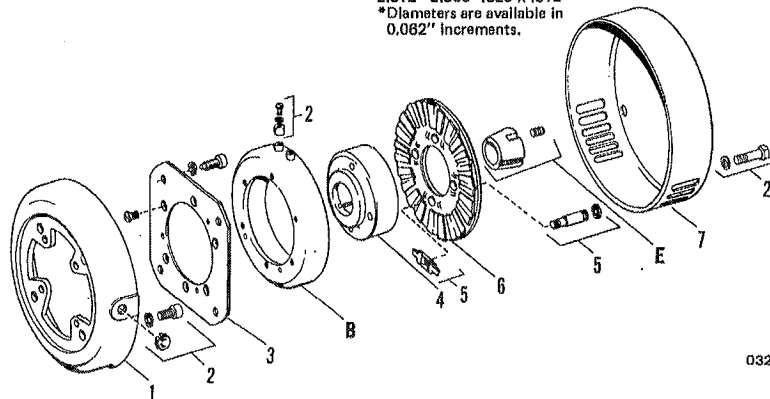
Refer to Section K for torque and heat dissipation curves.



*Bore 'E' Keyway

.500 - .562	.125 x .062
.625 - .875	.187 x .094
.937 - 1.260	.250 x .125
1.312 - 1.375	.312 x .156
1.437 - 1.760	.375 x .187
1.812 - 2.260	.500 x .250
2.312 - 2.500	.625 x .312

*Diameters are available in 0.062" increments.





Manufacturers of Dynamic® and Adjusto Spede® Products

7900 Durand Avenue, P.O. Box 0361
Sturtevant, Wisconsin, U.S.A. 53177
Tel.: 262.554.7977 Fax: 262.554.7041
Toll Free: 1.800.548.2169
E-mail: sales@drivesourceusa.com
Website: www.drivesourceusa.com

**Motor Brake
Model 312**

- Primary Field
- Pin Drive

Model 312 Motor Brake Per FC-312062

Item	Qty.	Part No.	Description
Major Parts			
1	1	312781	Brake Mounting Adapter
2	1	326534	Motor Brake Accessories
3	1	312491	Mounting Plate w/Accessories Outside mounted
4	1	312452	Armature Hub
5	1	326139	Adjustable Gap Accessories
6	1	312380	Armature Plate Assembly
7	1	312793-1	Brake Cover
B	1		Field Magnet Assembly
B-1		312371	6 volts
B-4		312374	90 volts
E	1	326039	Split Taper Bushing (See note below)
Service Parts			
6a	4	326008	Drive Pin
6b	4	326149	Spring
6c	4	DY 10572	Retaining Ring

- To Order, Specify:**
1. Motor Brake
 2. Bore of Item E
 3. Voltage of Item B
 4. Controller from Section H

Example:
 Motor Brake per FC-312062
 2" bore
 90 volts
 Controller Model Number

Note:
 Refer to Section J for split taper bushing bores.
 Consult the factory for other voltages.
 Data subject to change without notice.