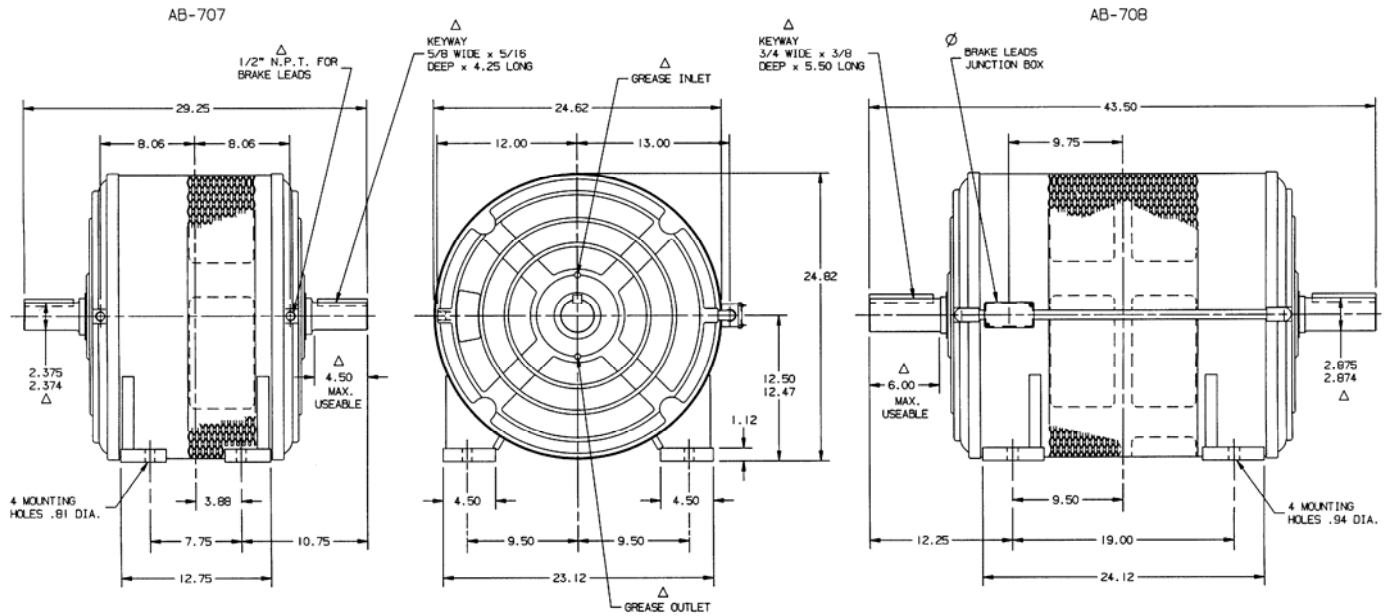


**Air & Liquid Cooled Brakes
1.5 through 100 HP**

Outline Dimensions – AS-707 & AS-708



C32088, C-79946

Models AS-707 & AS-708 Air-Cooled Brakes

All models are furnished with 2 waterproof junction boxes. Customer must drill openings where desired.

DIMENSIONS ARE IN INCHES

7900 Durand Avenue
PO Box 0361
Sturtevant, WI 53177

Ph: 800-548-2169
Ph: 262-554-7977
Fax: 262-554-7977

Email: sales@drivesourceusa.com

Website: www.drivesourceusa.com